

Hypertherm®

HySpeed® HT4400® Machine torch parts

HT4400 consumables



HySpeedHT4400 with accessories



HT4400 torch

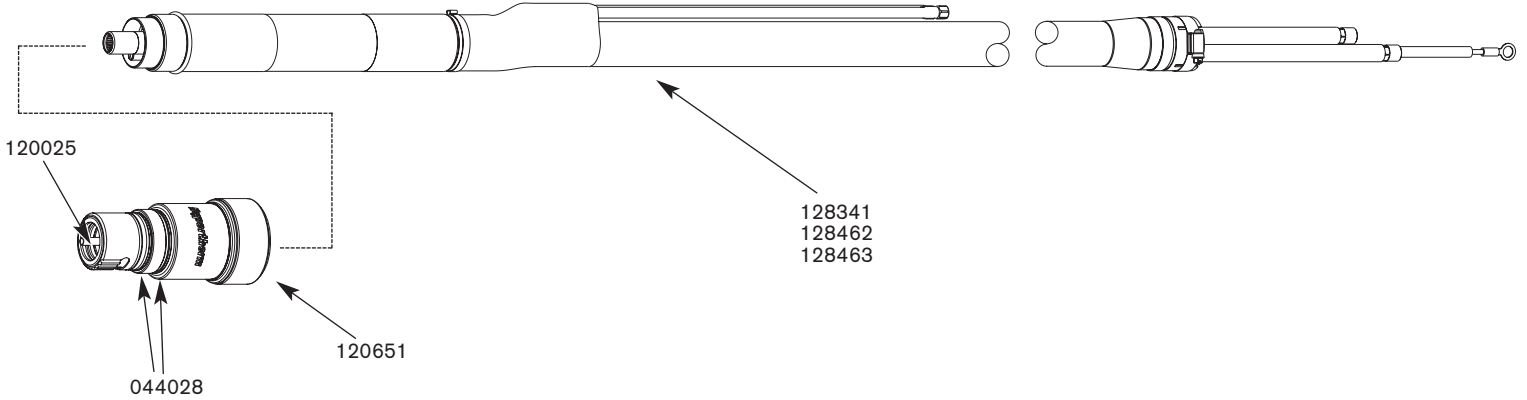
	Retaining cap	Nozzle	Swirl ring	Electrode	
Oxygen plasma					
400 Amp	120786 120907 (With IHS Tab) 120984 (Underwater)	120934 120935 (CCW)	120939 120940 (CCW)	120810 - Standard 220412 - SilverPlus	
300 Amp	120786 120907 (With IHS Tab) 120984 (Underwater)	120794 120795 (CCW)	120913 120914 (CCW)	120802 - Standard 220412 - SilverPlus	
200 Amp	120786 120907 (With IHS Tab) 120984 (Underwater)	120787 120788 (CCW)	120791 120792 (CCW)	120793	
100 Amp	120786 120907 (With IHS Tab) 120984 (Underwater)	120777 120778 (CCW)	120783 120784 (CCW)	120785	
Nitrogen plasma					
400 Amp	120786 120907 (With IHS Tab) 120984 (Underwater)	120856 120857 (CCW)	120853 120854 (CCW)	120855	
200 Amp	120786 120907 (With IHS Tab) 120984 (Underwater)	120794 120795 (CCW)	120853 120854 (CCW)	120855	

APPLICATION	PLASMA GAS	CONSUMABLE DESCRIPTION	400 AMPS BEVEL	400 AMPS	300 AMPS	200 AMPS	100 AMPS
CUTTING	Oxygen	Electrode - Standard	120810*	120810*	120802*	120793**	120785**
		Electrode - SilverPlus	220412	220412	220412	-----	-----
		Swirl ring	120939	120939	120913	120791	120783
		Nozzle	120934	120934	120794	120787	120777
		Retaining cap	120786	120786	120786	120786	120786
		Retaining cap (with IHS tab)	120907	120907	120907	120907	120907
		Retaining cap (underwater)	120984	120984	120984	120984	120984
Nitrogen	Nitrogen	Electrode	-----	120855	-----	120855	-----
		Swirl ring	-----	120853	-----	120853	-----
		Nozzle	-----	120856	-----	120794	-----
		Retaining cap	-----	120786	-----	120786	-----
		Retaining cap (with IHS tab)	-----	120907	-----	120907	-----
		Retaining cap (underwater)	-----	120984	-----	120984	-----
Cutting with counterclockwise gas swirl (substitute designated parts)	Oxygen	Swirl ring	120940	120940	120914	120792	120784
		Nozzle	120935	120935	120795	120788	120778
	Nitrogen	Swirl ring	-----	120854	-----	120854	-----
		Nozzle	-----	120857	-----	120795	-----

* CoolCore™ technology

** HyLife® technology

HT4400 torch assembly



PART NO.	DESCRIPTION
120651	HT4400 torch main body
128462	HT4400 torch adapter with 6' leads
128463	HT4400 torch adapter with 10' leads
128341	HT4400 torch adapter with 15' leads
128430	HT4400 torch assembly with 6' leads
128431	HT4400 torch assembly with 10' leads
128342	HT4400 torch assembly with 15' leads
120025	Water cooling tube
044028	O-ring

Hypertherm, HySpeed, Cool Core, HyLife and SilverPlus are trademarks of Hypertherm, Inc., and may be registered in the United States and/or other countries.

Hypertherm®

Hypertherm, Inc. USA 603-643-3441 Tel 603-643-5352 Fax consumable.info@hypertherm.com

Hypertherm Automation USA 603-298-7970 Tel 603-298-7977 Fax info@hyperthermautomation.com

Hypertherm Plasmatechnik, GmbH Deutschland 49 6181 58 2100 Tel 49 6181 58 2134 Fax
HTDeutschland.info@hypertherm.com

Hypertherm (S) Pte Ltd. Singapore 65 6 841 2489 Tel 65 6 841 2490 Fax
HTSingapore.info@hypertherm.com

Hypertherm (Shanghai) Trading Co., Ltd. P.R. China 86-21 5258 3330 /1 Tel 86-21 5258 3332 Fax
HTChina.info@hypertherm.com

Hypertherm Branch of Hypertherm UK, LLC England 00 800 3324 9737 Tel 00 800 4973 7329 Fax
HTUK.info@hypertherm.com

France (Representative Office) 00 800 3324 9737 Tél 00 800 4973 7329 Fax
HTFrance.info@hypertherm.com

Hypertherm S.r.l. Italia 39 02 725 46 312 Tel 39 02 725 46 400 Fax HTItalia.info@hypertherm.com

Hypertherm Europe B.V. Nederland 31 165 596907 Tel 31 165 596901 Fax
HTEurope.info@hypertherm.com

Japan (Representative Office) 81 0 559 75 7387 Tel 81 0 559 75 7376 Fax HTJapan.info@hypertherm.com

HYPERTHERM BRASIL LTDA. 55 11 6482 1087 Tel 55 11 6482 0591 Fax HTBrasil.info@hypertherm.com

Mexico (Representative Office) 52 55 5681 8109 Tel 52 55 5683 2127 Fax