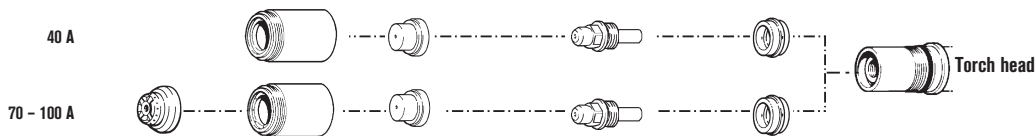


Hypertherm®

MAX70/100

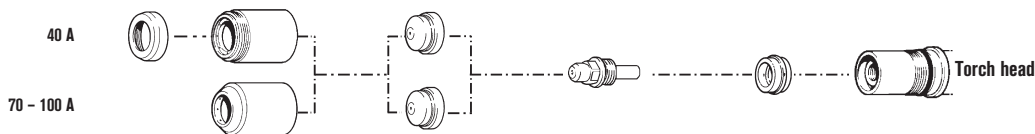
PAC130 hand torch consumables

Shielded consumables



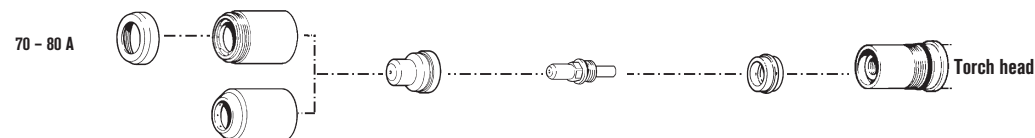
	Shield	Retaining cap	Nozzle	Electrode (Air)	or	Electrode (Nitrogen)	Swirl ring
40 A		020490	020396	120433		020193	020194
70 A	020335	020336	020397	120433		020193	020194
80 A	020335	020336	020397	120433		020193	020194
100 A	020335	020336	020337	120433		020193	020194

Unshielded* consumables



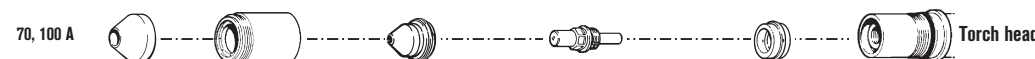
	Deflector / Retaining cap**	or	Retaining cap	Nozzle	Electrode (Air)	or	Electrode (Nitrogen)	Swirl ring
40 A	020333 / 020336		020184	020203	120433		020193	020194
70 A	020333 / 020336		020184	020345	120433		020193	020194
80 A	020333 / 020336		020184	020345	120433		020193	020194
100 A	020333 / 020336		020184	020195	120433		020193	020194

Extended consumables



	Deflector / Retaining cap**	or	Retaining cap	Nozzle	Electrode	Swirl ring
70 - 80 A Air	020333 / 020336		020184	020563	120444	020194
70 - 80 A Nitrogen (N ₂)	020333 / 020336		020184	020563	020866	020194

Gouging consumables



	Shield	Retaining cap	Nozzle	Electrode	Swirl ring
70 A	020712	020336	020878	020744	020194
100 A	020712	020336	120459	020744	020194



MAX70



MAX100



TECHNOLOGIES

HyLife®

Vented shield

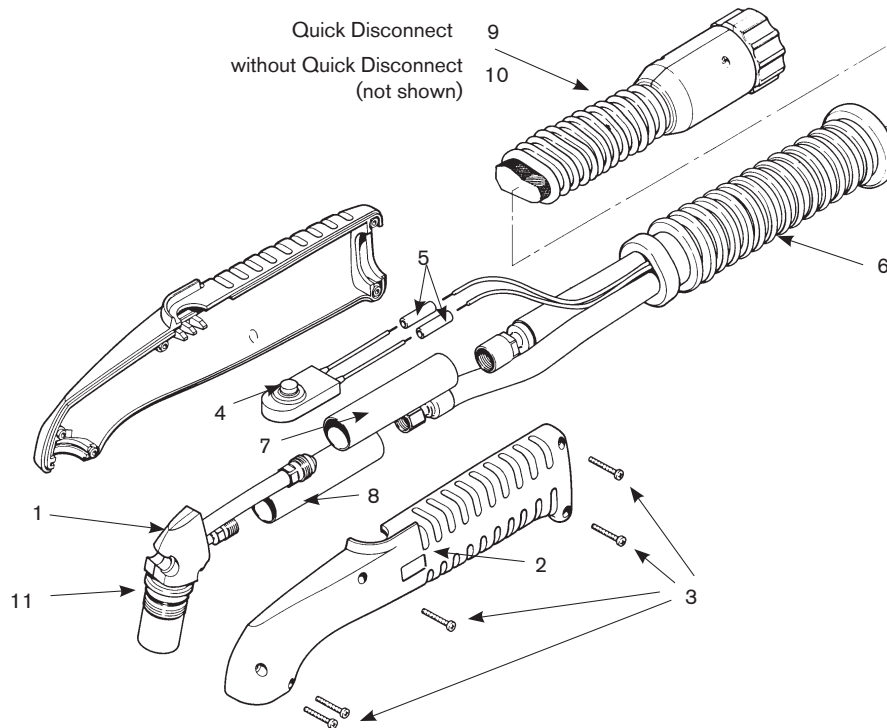
* In countries following CE standards, unshielded consumables may only be used in mechanized torch applications.

** Non-shielded cutting may use a retaining cap **or** a combination deflector/retaining cap.

Hypertherm, MAX, PAC and HyLife are trademarks of Hypertherm, Inc. and may be registered in the United States and/or other countries.

MAX70/100

PAC130 hand torch assembly



Assembly – torch leads with quick disconnects

Part number	Description
059093*	Torch assembly with QD 25' (7.6 m)
059094*	Torch assembly with QD 50' (15.2 m)
059095*	Torch assembly with QD 75' (22.9 m)

Assembly – torch leads without quick disconnects

Part number	Description
059076	Torch assembly without QD 25' (7.6 m)
059077	Torch assembly without QD 50' (15.2 m)
059079	Torch assembly without QD 75' (22.9 m)
10. 029198	Leads, hand torch without QD 25' (7.6 m)
10. 029199	Leads, hand torch without QD 50' (15.2 m)
10. 029229	Leads, hand torch without QD 75' (22.9 m)
1. 020461	Torch main body
2. 001214	Handle (both halves included)
3. 075365	Screw, #6 x 3/4" (five required)
4. 005094	Switch, pushbutton, torch
5. 074069	Splice, butt, insulated (two required)
6. 001217	Boot
7. 024249	Negative lead insulator, 1 1/16 x 3 1/2"
8. 020536	Pilot arc lead insulator, 9/16 x 2 1/2"
9. 029667	Leads, hand torch with QD 25' (7.6 m)
9. 029668	Leads, hand torch with QD 50' (15.2 m)
9. 029669	Leads, hand torch with QD 75' (22.9 m)
11. 026018	O-ring, Silico
023682	MAX70 work lead with clamp, 15' (4.6 m)
023209	MAX100 work lead with clamp, 25' (7.6 m)

*Assembly includes consumables

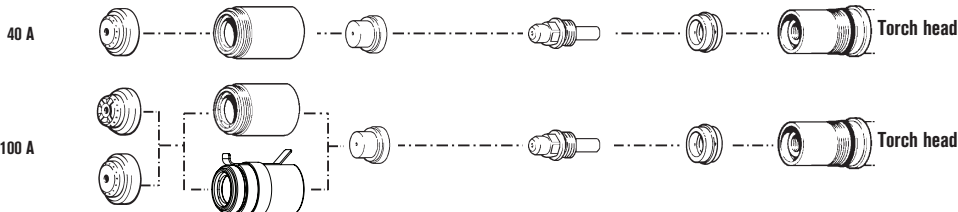


Hypertherm®

MAX70/100

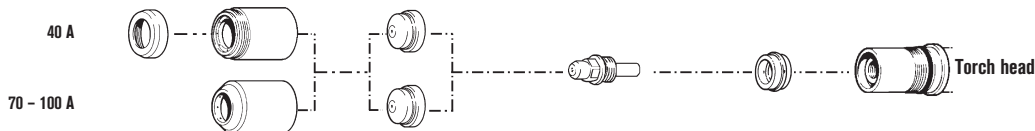
MAX70/MAX100 machine torch consumables

Shielded consumables



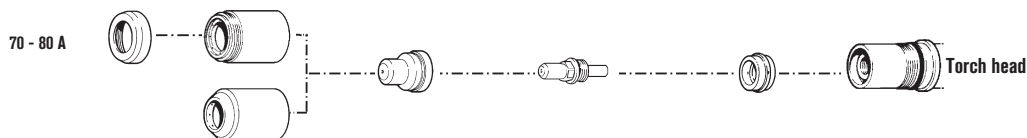
	Shield	Retaining cap	Nozzle	Electrode (Air)	Electrode or (Nitrogen)	Swirl ring
40 A	020492	020490	020396	120433	020193	020194
70 A	020334	020336	020397	120433	020193	020194
80 A	020334	020336	020397	120433	020193	020194
100 A	020334	020336	020337	120433	020193	020194
70 - 100 A Ohmic		120966				

Unshielded consumables



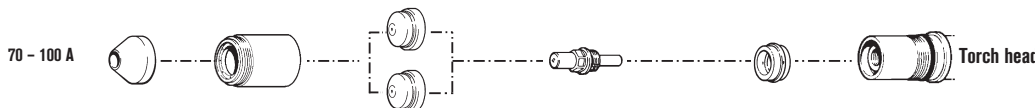
	Deflector / Retaining cap*	Retaining cap	Nozzle	Electrode (Air)	Electrode or (Nitrogen)	Swirl ring
40 A	020333 / 020336	020184	020203	120433	020193	020194
70 A	020333 / 020336	020184	020345	120433	020193	020194
80 A	020333 / 020336	020184	020345	120433	020193	020194
100 A	020333 / 020336	020184	020195	120433	020193	020194

Extended consumables



	Deflector / Retaining cap*	Retaining cap	Nozzle	Electrode	Swirl ring
70 - 80 A Air	020333 / 020336	020184	020563	120444	020194
70 - 80 A Nitrogen (N ₂)	020333 / 020336	020184	020563	020866	020194

Gouging consumables



	Shield	Retaining cap	Nozzle	Electrode	Swirl ring
70 A	020712	020336	020878	020744	020194
100 A	020712	020336	120459	020744	020194



MAX70



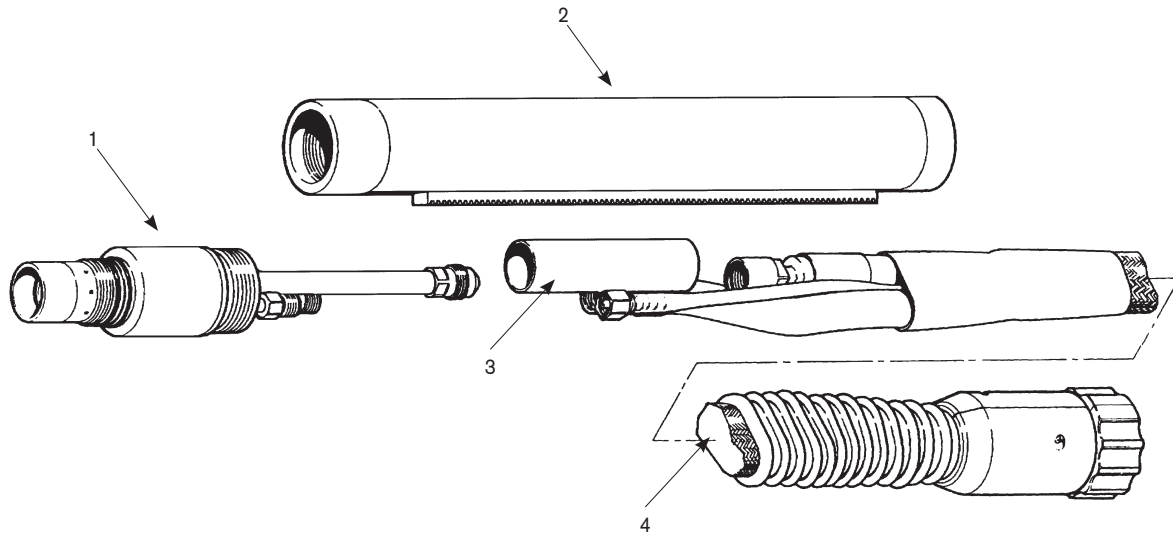
MAX100

TECHNOLOGIES
HyLife®
Vented shield

* Non-shielded cutting may use a retaining cap **or** a combination deflector/retaining cap.

MAX70/100

MAX70/MAX100 machine torch assembly



Assembly – torch leads with quick disconnects

Part number	Description
059096	MAX100 torch assembly with QD 25' (7.6 m)
059238	MAX100 torch assembly with QD with 8.5" (216 mm) torch sleeve 25' (7.6 m)
059167	MAX100 International torch assembly with QD 35' (10.7 m)
059239	MAX100 torch assembly with QD with 8.5" (216 mm) torch sleeve 35' (10.7 m)
059097	MAX100 torch assembly with QD 50' (15.2 m)
059240	MAX100 torch assembly with QD with 8.5" (216 mm) torch sleeve 50' (15.2 m)
059098	MAX100 torch assembly with QD 75' (22.9 m)
4. 028524	Machine torch leads with QD 25' (7.6 m)
4. 028527	Machine torch leads with QD 35' (10.7 m)
4. 028525	Machine torch leads with QD 50' (15.2 m)
4. 028526	Machine torch leads with QD 75' (22.9 m)

Assembly – torch leads without quick disconnects

Part number	Description
4. 028326	Machine torch leads without QD 25' (7.6 m) (not shown)
4. 028330	Machine torch leads without QD 35' (10.7 m) (not shown)
4. 028327	Machine torch leads without QD 50' (15.2 m) (not shown)
4. 028335	Machine torch leads without QD 75' (22.9 m) (not shown)
1. 020201	Torch main body, 180°
2. 020243	Torch position sleeve, 10 1/4" (260.35 mm)
2. 020270	Torch position sleeve, 18" (457.2 mm)
3. 024173	Pilot arc lead insulator, 9/16" x 2 1/2"
023682	MAX70 work lead with clamp, 15' (4.6 m)
023209	MAX100 work lead with clamp, 25' (7.6 m)

*Assembly includes consumables